

MEZZINA

progettazione e realizzazioni
meccaniche industriali

Officine Mezzina is a renowned company dealing with the designing and construction of high-precision mechanical components intended for the world of industry

This has been achieved thanks to the synergic interaction of internal departments that take care of **designing services, 5-axis milling, turning, grinding, boring, wire and die-sinking EDM, metrological controls, heat treatments, carpentry, coating and assembly.**

Automotive
Aeronautical
Air-Space
Motorsport
Research Centers
Energy
Manufacturing
Railway
Packaging
Earthmoving

Designing

For us, designing is extremely important, as it is the result of a decade of experience. A field entrusted to highly qualified designers able to provide customers with the most functional and innovative solutions for the final production, without neglecting the ergonomic and aesthetic aspects.



Metrology

The final target of a careful production process is the highest quality that we guarantee thanks to a modern metrology room equipped with innovative instruments. Our technicians constantly training are in charge of continuous and accurate checks.



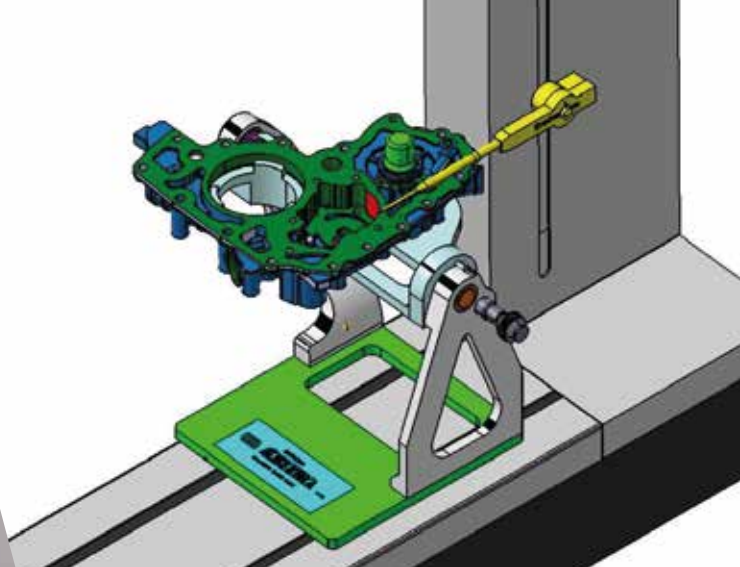
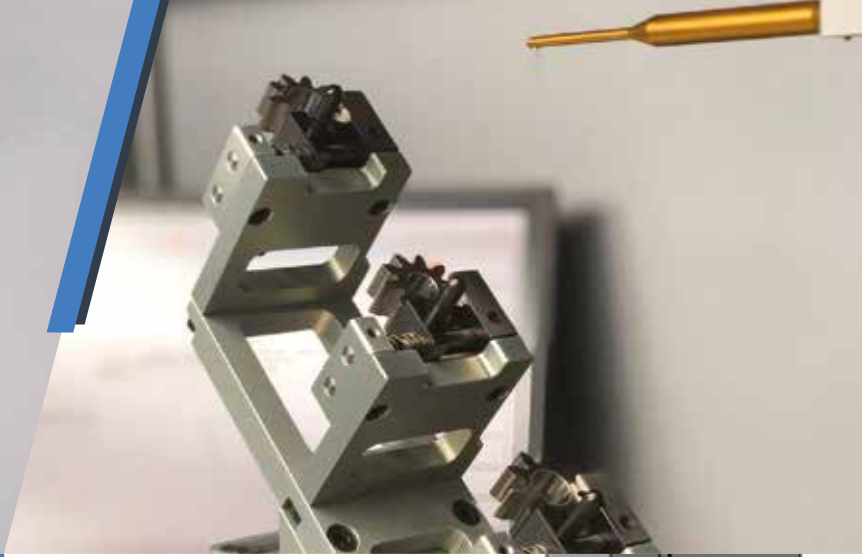
Mechanical processing

Milling, turning, grinding and EDM applied on a wide range of materials, are the core of our experience and long history destined to customers more and more demanding and looking for specificity in the production according to design.

Our services

A wide range of services is guaranteed to a prestigious domestic and international clientele, supported by specific technical analyses aimed at optimising work performances, which comply with the most stringent recognised quality standards.







Officina Mezzina s.n.c.
Z.I. Lotto A/15 | 70056 MOLFETTA (BA) | ITALY
T +39 080 3389715/16 | F +39 080 3389717
www.officinemezzina.it | info@officinemezzina.it

